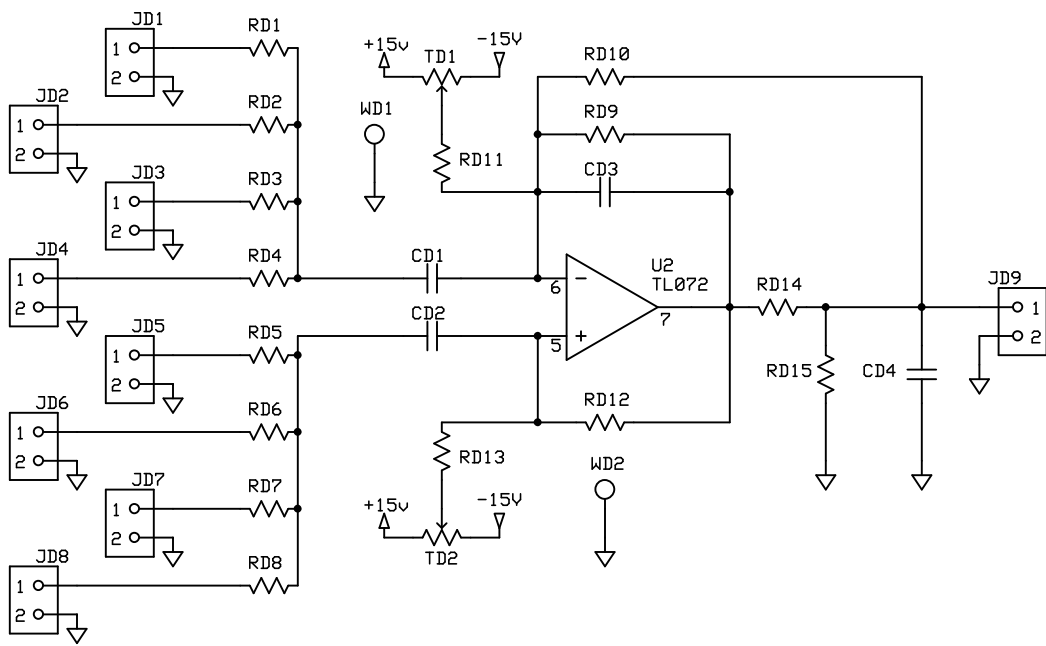
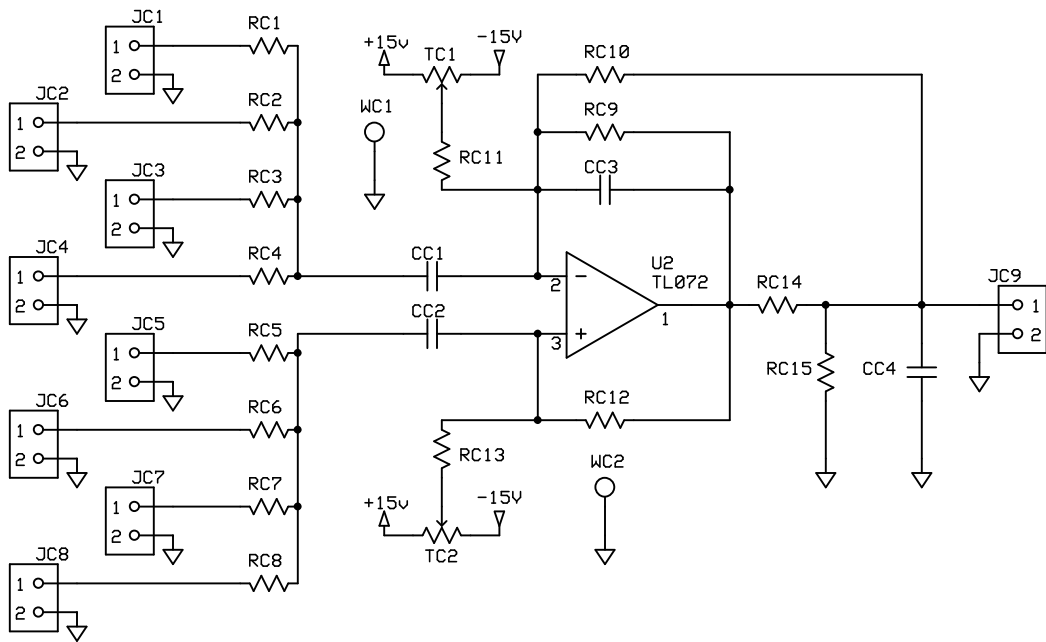


Copyright 2005, The Tellun Corporation
 Unauthorized Duplication Forbidden

MUUB-4 Multi-Use Universal Buffer
 Circuit Designed By Richard Brewster, Larry Hendry, and Scott Juskiw

Drawn by Scott Juskiw scott@tellun.com	Rev 1.0 2005/05/23	Page 1 of 2
---	-----------------------	-------------



Copyright 2005, The Tellun Corporation
 Unauthorized Duplication Forbidden

MUUB-4 Multi-Use Universal Buffer
 Circuit Designed By Richard Brewster, Larry Hendry, and Scott Juskiw

Drawn by Scott Juskiw scott@tellun.com	Rev 1.0 2005/05/23	Page 2 of 2
---	-----------------------	-------------