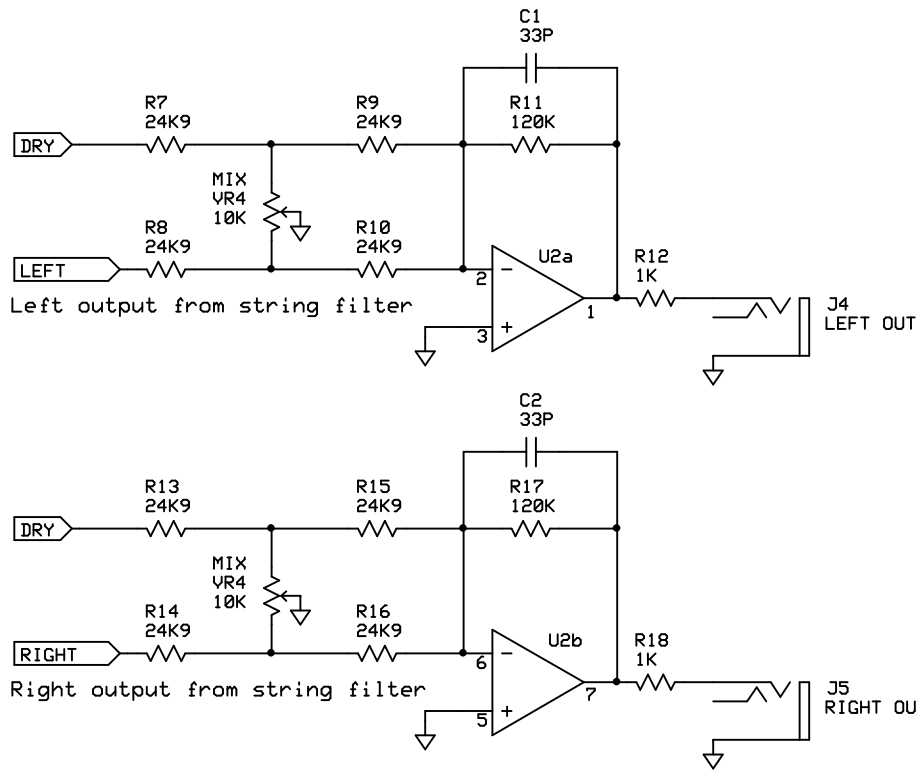
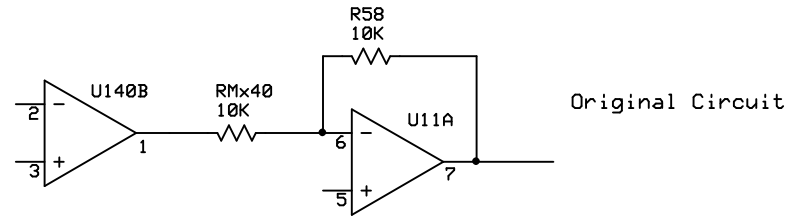


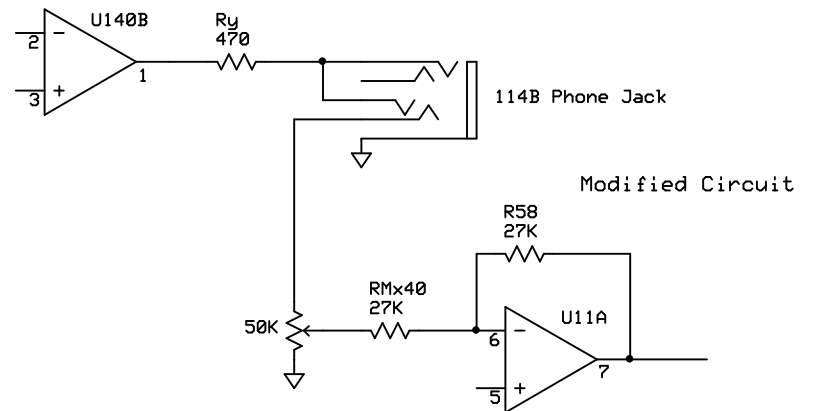
Additional circuitry built on MUUB
 Part numbers refer to components on MUUB
 VR4 is a dual-ganged 10K linear pot



Part numbers in this box refer to components on the String Filter PCB and schematic



Original Circuit



Modified Circuit